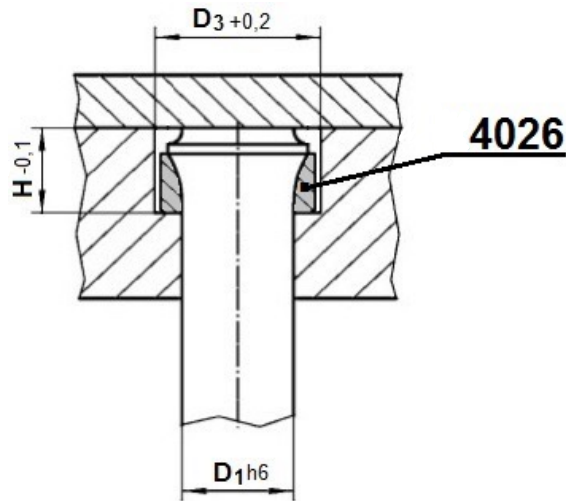




Mounting sleeve,
for punches with trumped head

Mat.: 1.2312 ~1080 /Nmm²



 = Verpackungseinheit / packing unit

Nr. / No.	D1	D3	H	
4026 - 3,0	3,0	6	7	10
4026 - 4,0	4,0	7	8	
4026 - 5,0	5,0	9	11	
4026 - 5,5	5,5	10		
4026 - 6,0	6,0	11		
4026 - 6,5	6,5	12		
4026 - 7,0	7,0			
4026 - 7,5	7,5	13		
4026 - 8,0	8,0		12	5
4026 - 8,5	8,5	15		
4026 - 9,0	9,0			
4026 - 9,5	9,5	16		
4026 - 10,0	10,0		13	
4026 - 11,0	11,0	17		
4026 - 12,0	12,0	18		
4026 - 13,0	13,0	19		
4026 - 14,0	14,0	20		
4026 - 15,0	15,0	21		
4026 - 16,0	16,0	22		1
4026 - 17,0	17,0	23		
4026 - 18,0	18,0	24		
4026 - 19,0	19,0	25		
4026 - 20,0	20,0	27	14	