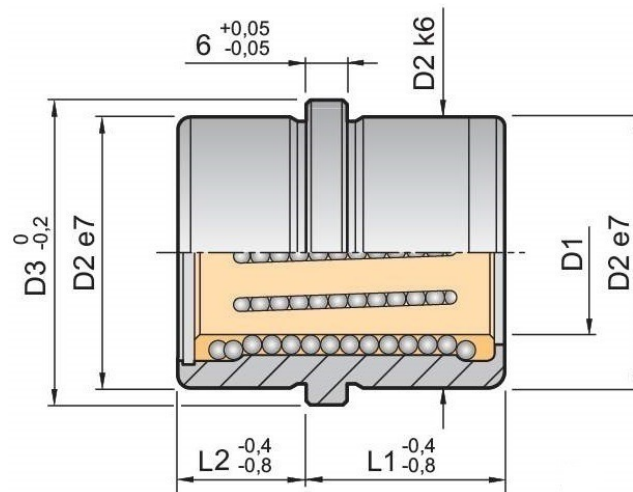


Recirculating ball bushing,
for ejector set



Material: Buchse / bush: 1.7131 / 61-63 HRC
Kugelkäfig / ball cage: Messing / brass
Kugel / ball: 1.3505 / 62-67 HRC

Best.Nr. Order No	D1	L1	L2	D2	D3
K3080 - 10 x 12 x 09	10	12	9	17	20
K3080 - 10 x 17 x 09		17			
K3080 - 12 x 17 x 09	12			22	25
K3080 - 12 x 17 x 12			12		
K3080 - 18 x 22 x 12	18	22		30	33
K3080 - 18 x 22 x 17			17		
K3080 - 24 x 27 x 17	24	27		38	41
K3080 - 24 x 27 x 22			22		
K3080 - 30 x 32 x 22	30	32		46	49
K3080 - 30 x 32 x 27			27		