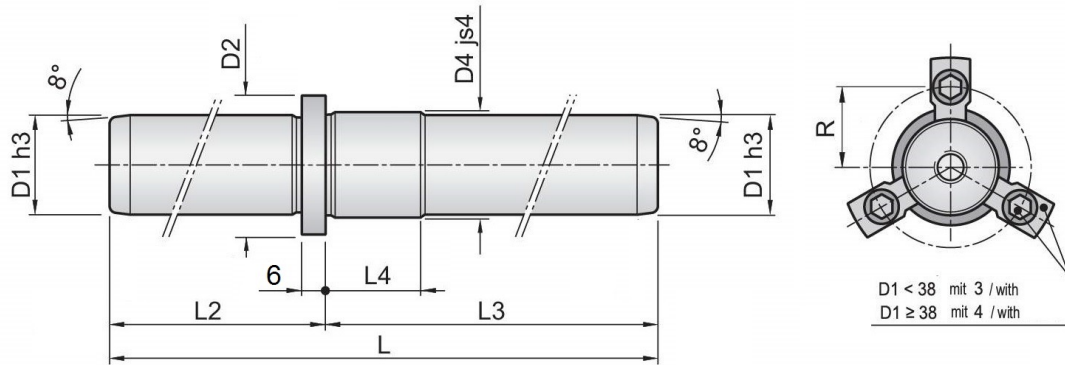


3015 Führungssäule,
mit kleinem Mittelbund

MSTBtec²

Guide Pillar,
with small middle shoulder

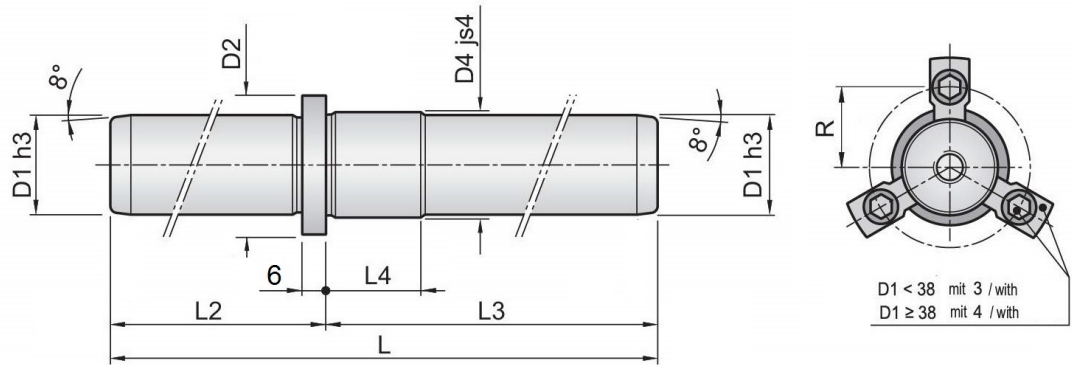


Material: 1.7131 / 61-63 HRC

Best.Nr. Order No	D1	L2	L3	L	L4	D2	D4	R
3015-12x040x05	12	40	50	90	12	18	13	17,5
3015-12x040x06			60	100				
3015-12x050x06			50	110				
3015-12x050x07			70	120				
3015-12x060x07			60	130				
3015-12x070x07			70	140				
3015-12x100x10			100	100				
3015-16x060x08	16	60	80	140	16	22	17	19,5
3015-16x060x09			90	150				
3015-16x070x09			70	160				
3015-16x070x10			100	170				
3015-16x080x10			80	180				
3015-16x090x10			90	190				
3015-16x130x14			130	140				
3015-19x070x09	19	70	90	160	20	25	20	21
3015-19x070x10			100	170				
3015-19x080x10			80	180				
3015-19x080x11			110	190				
3015-19x090x11			90	200				
3015-19x100x11			100	210				
3015-19x150x16			150	160				
3015-25x080x10	25	80	100	180	22	32	26	24,5
3015-25x080x11			110	190				
3015-25x090x11			90	200				
3015-25x090x12			120	210				
3015-25x100x12			100	220				
3015-25x110x12			110	230				
3015-25x160x17			160	170				

3015 Führungssäule,
mit kleinem Mittelbund

Guide Pillar,
with small middle shoulder



Material: 1.7131 / 61-63 HRC

Best.Nr. Order No	D1	L2	L3	L	L4	D2	D4	R	
3015-32x080x100	32	80	100	180	25	40	33	28,5	
3015-32x080x110			110	190					
3015-32x090x110			90	200					
3015-32x090x120		120		210					
3015-32x100x120		100		220					
3015-32x100x130			130	230					
3015-32x110x130			110	240					
3015-32x110x140		140		250					
3015-32x160x190		160		190					350
3015-40x090x110	40	90	110	200	27	50	41	33,5	
3015-40x090x120			120	210					
3015-40x100x120			100	220					
3015-40x100x130		130		230					
3015-40x110x130		110		240					
3015-40x110x140			140	250					
3015-40x120x140			120	260					
3015-40x180x200		180		200					380
3015-50x110x150		50		110					150
3015-50x120x160	120		160		280				
3015-50x130x170	130		170		300				
3015-50x140x180			140	180	320				
3015-50x160x200			160	200	360				
3015-50x180x220	180			220	400				
3015-50x240x280				240	280	520			