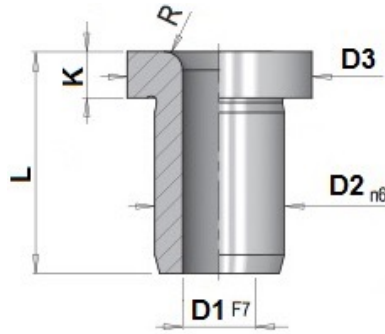



**K6120 Bohrbuchse,
mit Bund**

**Drill bush,
with collar**

**Mat.: 16CrNi4 / 60±2 HRC
DIN 172**



 = Verpackungseinheit / packing unit

Nr. / No.	D1	Stufung Grading	D2	L	D3	K	R	
K6120 - D1 - 3,0 x 6	0,5 - 1,0	0,1	3,0	6	6	2,0	1	10
9	9							
K6120 - D1 - 4,0 x 6	1,1 - 1,8		4,0	6	7			
9	9							
K6120 - D1 - 5,0 x 6	1,9 - 2,6		5,0	6	8			
9	9							
K6120 - D1 - 6,0 x 8	2,7 - 3,3		6,0	8	9	2,5		5
12	12							
K6120 - D1 - 7,0 x 8	3,4 - 4,0		7,0	8	10			
12	12							
K6120 - D1 - 8,0 x 8	4,1 - 5,0		8,0	8	11			
12	12							
K6120 - D1 - 10,0 x 10	5,1 - 6,0		10,0	10	13	3,0	1,5	
16	16							
K6120 - D1 - 12,0 x 10	6,1 - 8,0		12,0	10	15			
16	16							
K6120 - D1 - 15,0 x 12	8,1 - 10,0		15,0	12	18		2	
20	20							
K6120 - D1 - 18,0 x 12	10,1 - 12,0		18,0	12	22	4		
20	20							
K6120 - D1 - 22,0 x 16	12,1 - 15,0		22	16	26			
28	28							
K6120 - D1 - 26,0 x 16	15,25 - 18,0	0,25	26	16	30			
28	28							
K6120 - D1 - 30,0 x 20	18,25 - 22,0		30	20	34	5		
36	36							
K6120 - D1 - 35,0 x 20	22,25 - 26,0		35	20	39			
36	36							
K6120 - D1 - 42,0 x 20	26,25 - 30,0		42	25	46			
36	45							