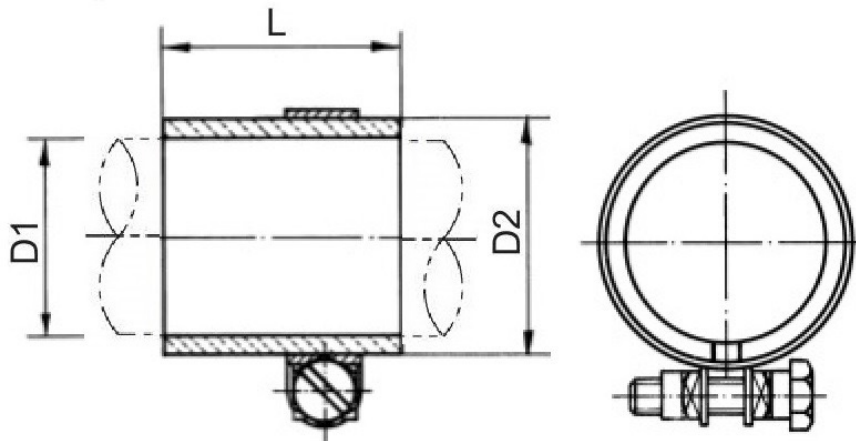


## Limiting sleeves



Best.Nr. Order No	D1	D2	L
3120-15	15	20	20
3120-16	16		
3120-19	19	25	
3120-20	20		
3120-24	24	30	30
3120-25	25		
3120-30	30	40	
3120-32	32		
3120-38	38	50	40
3120-40	40		
3120-48	48	60	
3120-50	50		
3120-60	60	70	
3120-63	63		
3120-80	80	90	45