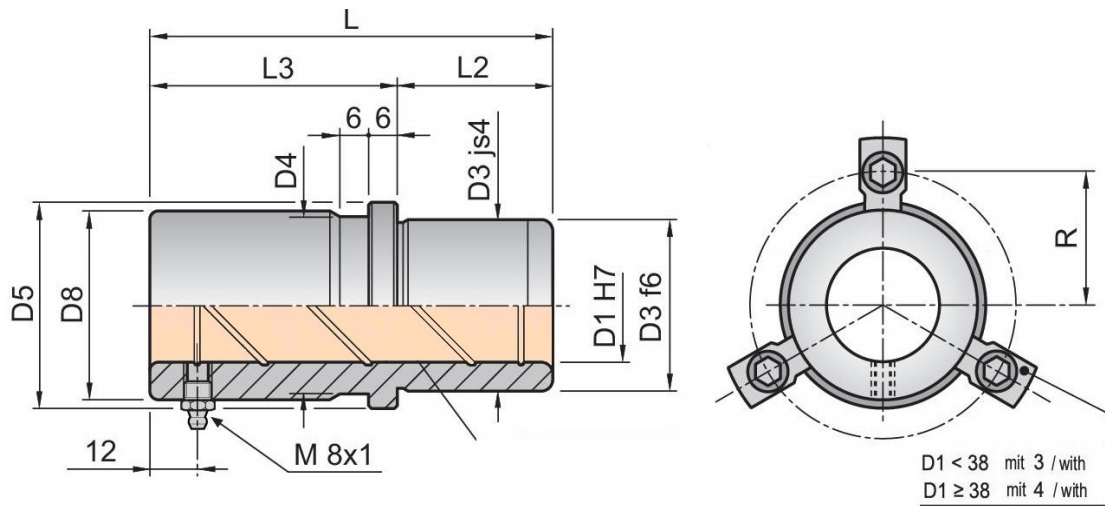


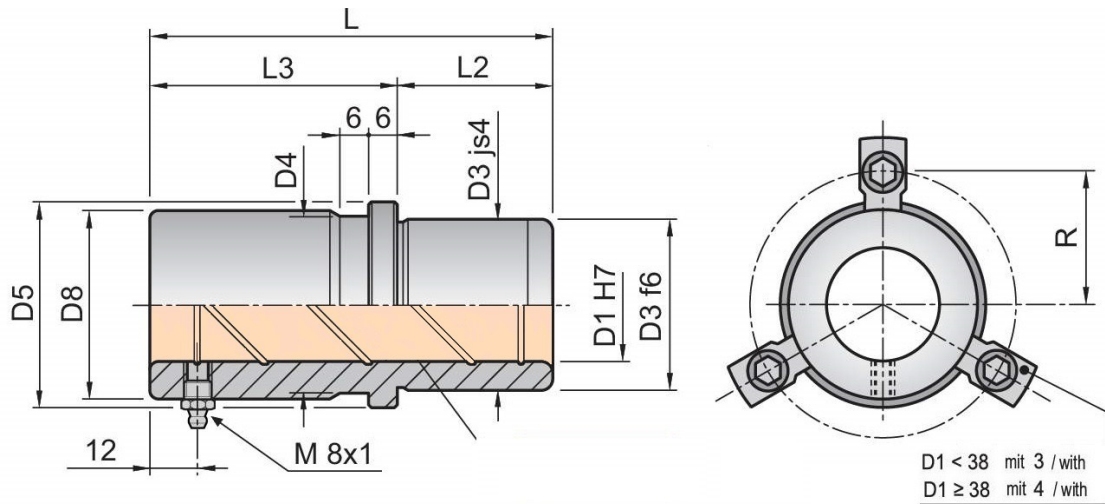
Sliding guide bush with shoulder
steel, with bronze coating



Material: 1.7131 / 61-63 HRC

| Best.Nr. Order No | D1 | L | L2 | L3 | D3 | D4 | D5 | D8 | R |
|----------------------|----|-----|----|----|----|----|----|----|------|
| 3051-19x035 | 19 | 35 | 23 | 12 | 32 | 32 | 40 | X | 26 |
| 3051-19x043 | | 43 | | 20 | | | | 39 | |
| 3051-19x059 | | 59 | | 36 | | | | | |
| 3051-20x035 | 20 | 35 | | 12 | | | | X | |
| 3051-20x043 | | 43 | | 20 | | | | 39 | |
| 3051-20x059 | | 59 | | 36 | | | | | |
| 3051-24x035 | 24 | 35 | 23 | 12 | 40 | 40 | 48 | X | 30 |
| 3051-24x059 | | 59 | | 36 | | | | 46 | |
| 3051-24x079 | | 79 | | 56 | | | | | |
| 3051-25x035 | 25 | 35 | | 12 | | | | X | |
| 3051-25x059 | | 59 | | 36 | | | | 46 | |
| 3051-25x079 | | 79 | | 56 | | | | | |
| 3051-30x042 | 30 | 42 | 30 | 12 | 48 | 48 | 56 | x | 33,5 |
| 3051-30x075 | | 75 | | 45 | | | | 53 | |
| 3051-30x093 | | 93 | | 63 | | | | | |
| 3051-32x042 | 32 | 42 | | 12 | | | | x | |
| 3051-32x075 | | 75 | | 45 | | | | 53 | |
| 3051-32x093 | | 93 | | 63 | | | | | |
| 3051-38x052 | 38 | 52 | 37 | 15 | 58 | 58 | 66 | X | 38,5 |
| 3051-38x082 | | 82 | | 45 | | | | 63 | |
| 3051-38x108 | | 108 | | 71 | | | | | |

Sliding guide bush with shoulder
steel, with bronze coating



Material: 1.7131 / 61-63 HRC

| Best.Nr. Order No | D1 | L | L2 | L3 | D3 | D4 | D5 | D8 | R |
|----------------------|----|-----|----|----|-----|-----|-----|-----|------|
| 3051-40x052 | 40 | 52 | 37 | 15 | 58 | 58 | 66 | X | 38,5 |
| 3051-40x082 | | 82 | | 45 | | | | 63 | |
| 3051-40x108 | | 108 | | 71 | | | | | |
| 3051-48x065 | 48 | 65 | 47 | 18 | 70 | 70 | 80 | X | 45,5 |
| 3051-48x097 | | 97 | | 50 | | | | 77 | |
| 3051-48x127 | | 127 | | 80 | | | | | |
| 3051-50x065 | 50 | 65 | | 18 | | | | X | |
| 3051-50x097 | | 97 | | 50 | | | | 77 | |
| 3051-50x127 | | 127 | | 80 | | | | | |
| 3051-60x080 | 60 | 80 | 60 | 20 | 85 | 85 | 95 | X | 53 |
| 3051-60x116 | | 116 | | 56 | | | | 92 | |
| 3051-60x150 | | 150 | | 90 | | | | | |
| 3051-63x080 | 63 | 80 | | 20 | | | | X | |
| 3051-63x116 | | 116 | | 56 | | | | 92 | |
| 3051-63x150 | | 150 | | 90 | | | | | |
| 3051-80x080 | 80 | 80 | 60 | 20 | 105 | 105 | 118 | X | 64,5 |
| 3051-80x120 | | 120 | | 60 | | | | 115 | |
| 3051-80x150 | | 150 | | 90 | | | | | |